

ON-OFF free flow valves Series VPFL/FF - SW

BUROCCO
INDUSTRIAL VALVES srl

Technical data

| | |
|---------------------|--|
| Size (DN) | DN 15 - 50 |
| Rating | PN 25 |
| Connections | Female threaded GAS (FF) - ISO 228 Socket weld (SW) |
| Plug characteristic | Disc |
| Actuator | Pneumatic with piston AISI 304 |
| Supply | min 4 / max 8 bar |
| Temperature | -30 to +150 °C |

Description

Pneumatic valve angle seat with high coefficient of flow, solid construction and compact. Versatility due to the construction of stainless steel for use in harsh environments.

They can be employed in several sector as: textile dyeing and finishing plants, chemical plants, water-treating, alimentary, general industrial plants.

Options

- ⇒ Normally open (NO)
- ⇒ Double effect (DE)
- ⇒ Seals FPM (for steam max 180 °C)
- ⇒ Manual handwheel
- ⇒ Rate shutter
- ⇒ Mechanical limit switch / proximity / microswitches box
- ⇒ Solenoid
- ⇒ Electropneumatic converter signal 4-20 mA
o 0-10 VDC (control plug)
- ⇒ Special executions on request

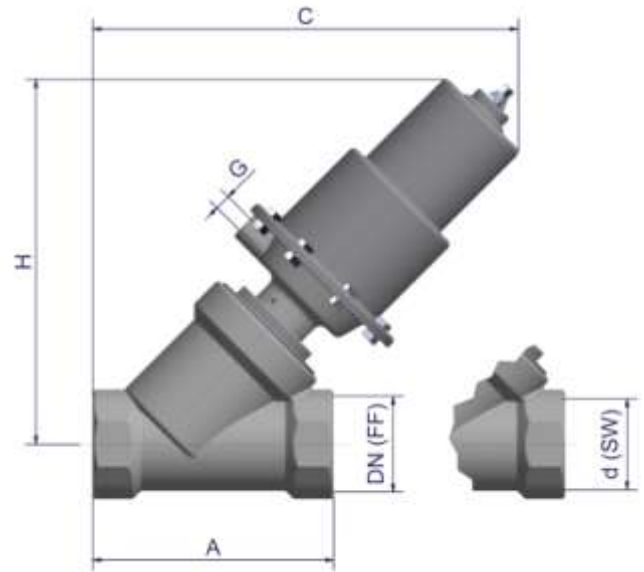


| DN | C _v | K _{vs} |
|-------------------|----------------|-----------------|
| 15 - 1/2" | 5 | 4,3 |
| 20 - 3/4" | 9 | 7,7 |
| 25 - 1" | 14 | 12 |
| 32 - 1"1/4 | 22 | 18,8 |
| 40 - 1"1/2 | 34 | 29 |
| 50 - 2" | 53 | 45,3 |

ON-OFF free flow valves
Series VPFL/FF - SW

BUROCCO
INDUSTRIAL VALVES srl

| | |
|---------------|--|
| Materials | |
| Valve body | AISI 316/316L |
| Insert plug | PTFE (STD) - PTFE/CG - SILICON |
| Stem / Plug | AISI 316/316L |
| Packing | Standard PTFE ring energized with O-ring FPM |
| Body gasket | PTFE (STD) - CARBOFIBER - ARMED GRAPHITE |
| Seal actuator | NBR |



| Dimensions (mm) | | | | | | |
|----------------------------|-----|-----|-----|--------|--------|---------------|
| DN - servoc. | A | C | H | d (SW) | G | weight (Kg) * |
| 15 (1/2") - S.63 | 65 | 195 | 175 | 21,5 | 1/8" G | 2,3 |
| 20 (3/4") - S.63 | 75 | 200 | 175 | 27,0 | 1/8" G | 2,5 |
| 20 (3/4") - S.82 | 75 | 225 | 205 | 27,0 | 1/8" G | 3,2 |
| 25 (1") - S.63 | 90 | 195 | 190 | 33,8 | 1/8" G | 3,0 |
| 25 (1") - S.82 | 90 | 220 | 215 | 33,8 | 1/8" G | 3,5 |
| 32 (1 1/4") - S.63 | 110 | 210 | 180 | 42,7 | 1/8" G | 3,5 |
| 32 (1 1/4") - S.82 | 110 | 235 | 210 | 42,7 | 1/8" G | 4,5 |
| 40 (1 1/2") - S.82 | 120 | 250 | 220 | 48,8 | 1/8" G | 5,2 |
| 40 (1 1/2") - S.118 | 120 | 310 | 280 | 48,8 | 1/8" G | 8,6 |
| 50 (2") - S.82 | 150 | 270 | 230 | 60,8 | 1/8" G | 6,0 |
| 50 (2") - S.118 | 150 | 330 | 290 | 60,8 | 1/8" G | 9,0 |

* Actuator without accessories.



Travessa da Prelada, n.º 106 | 4250-379 Porto
GPS N41.169040 W8.630748
Tel: 228 305 348/422 | Tim: 964 096 068 | Fax: 228305425
www.sertequi.pt | geral@sertequi.pt