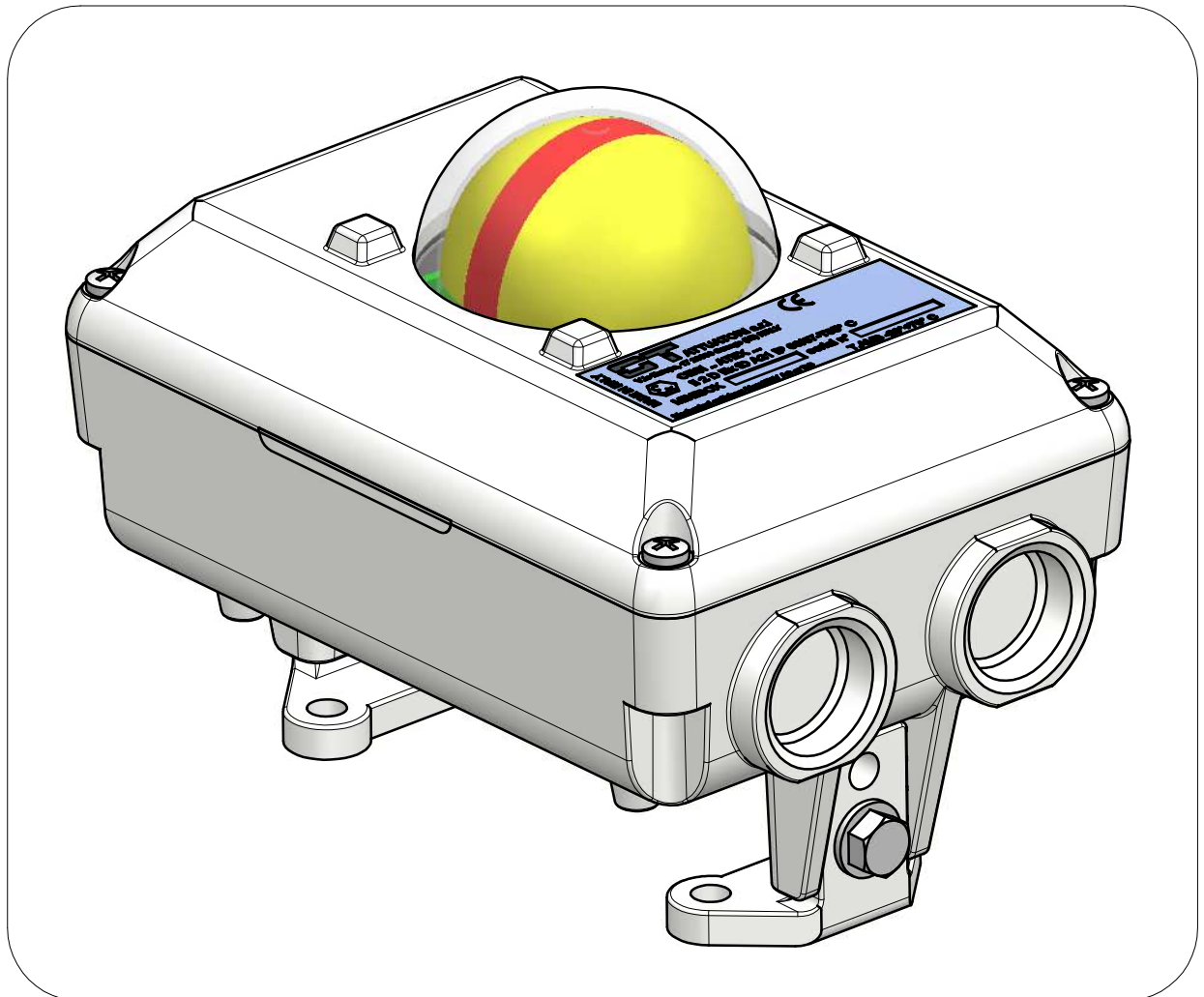


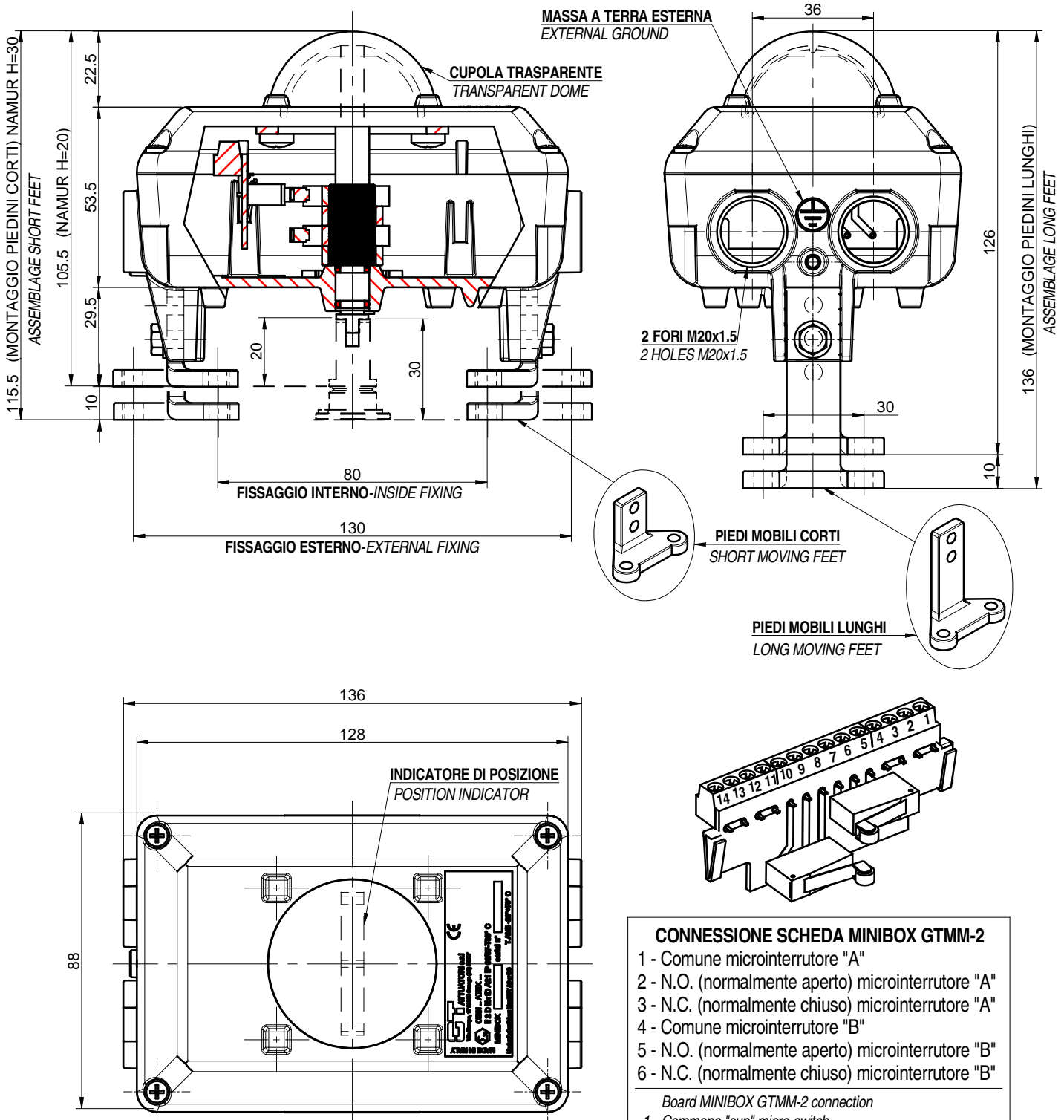
BOX INDICATORE / SIGNAL BOX " MINIBOX GT "



BOX INDICATORE - SIGNAL BOX

" MINIBOX GT " MODELLO - MODEL: " GTMM-2 "

2 MICRO MECCANICI - 2 MICRO-SWITCH:
 → OMRON SSG-5 L2P (contatti argentati - silver contact)
 → OMRON SSG-01 L2P (contatti dorati - gold contact)

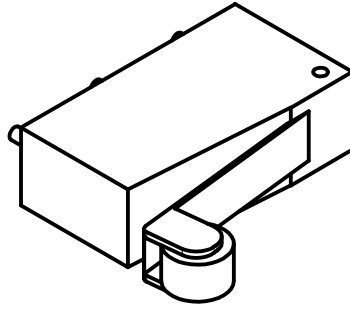


CONNESSIONE SCHEDA MINIBOX GTMM-2

- 1 - Comune microinterruttore "A"
- 2 - N.O. (normalmente aperto) microinterruttore "A"
- 3 - N.C. (normalmente chiuso) microinterruttore "A"
- 4 - Comune microinterruttore "B"
- 5 - N.O. (normalmente aperto) microinterruttore "B"
- 6 - N.C. (normalmente chiuso) microinterruttore "B"

Board MINIBOX GTMM-2 connection

- 1 - Comune "sup" micro-switch
- 2 - N.O. (normally open) "sup" micro-switch
- 3 - N.C. (normally closed) "sup" micro-switch
- 4 - N.C. (normally closed) "inf" micro-switch
- 5 - N.O. (normally open) "inf" micro-switch
- 6 - Comune "inf" micro-switch



CARATTERISTICHE GENERALI / GENERAL RATINGS

Tensioni <i>Rated voltage</i>	Senza carico induttivo <i>Non inductive load</i>				Carico induttivo <i>Inductive load</i>			
	Carico resistivo <i>Resistive load</i>		Carico lampada <i>Lamp load</i>		Carico induttivo <i>Inductive load</i>		Carico motore <i>Motor load</i>	
	NC	NO	NC	NO	NC	NO	NC	NO
125 VAC	5(0,1) A (see note 1)		1,5A	0,7A	3A		2,5A	1,3A
250 VAC	3A		1A	0,5A	2A		1,5A	0,8A
8 VDC	5A		2A		5A		3A	
14 VDC	5A		2A		4A		3A	
30 VDC	4(0,1) A (see note 1)		2A		3A		3A	
125 VDC	0,4A		0,05A		0,4A		0,05A	
250 VDC	0,2A		0,03A		0,2A		0,05A	

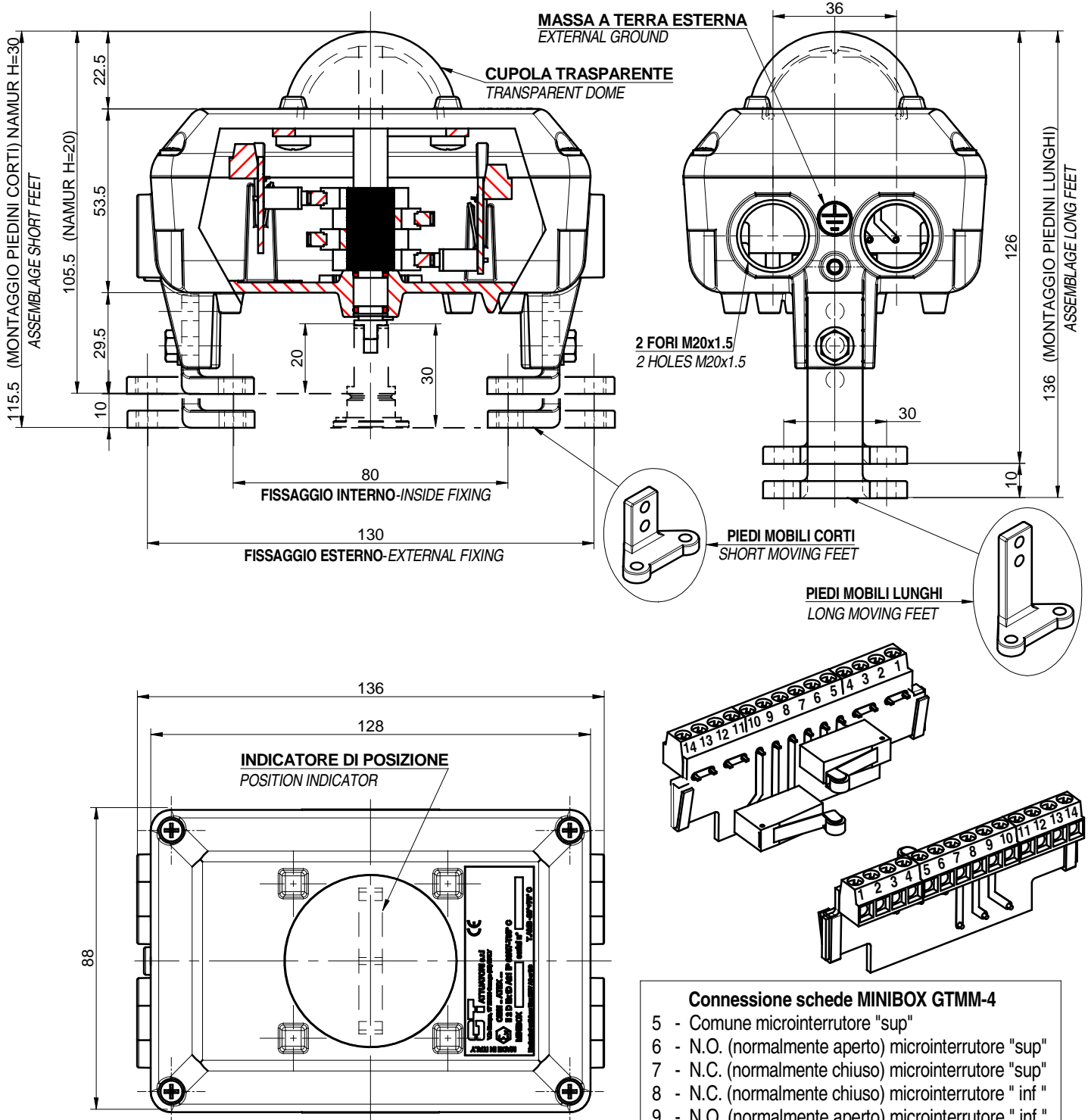
NOTE: 1 - The values in the parentheses are for the SSG-01

SPECIFICHE CONTATTI / CONTACT SPECIFICATIONS

ARTICOLO / ITEM		SSG-5	SSG-01H.T	SSG-01P
CONTATTI <i>CONTACT</i>	SPECIFICHE / <i>SPECIFICATION</i>	RIVET	CROSSBAR	CROSSBAR
	MATERIALE / <i>MATERIAL</i>	SILVER	GOLD ALLOY	GOLD ALLOY
	APERTURA (VALORE STANDARD) <i>GAP (STANDARD VALUE)</i>	0.5 mm	0.25 mm	0.5 mm
INRUSH CURRENT	NC	20 A MAX	1 A MAX	1 A MAX
	NO	10 A MAX	1 A MAX	1 A MAX
MINIMO CARICO APPLICABILE <i>MINIMUM APPLICABLE LOAD</i>		160 mA at 5 VDC	1 mA at 5 VDC	1 mA at 5 VDC

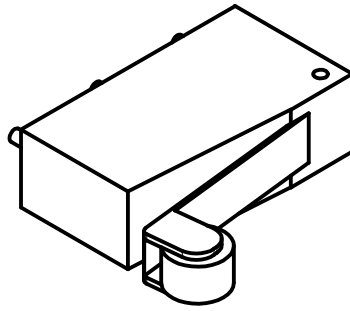
BOX INDICATORE - SIGNAL BOX
" MINIBOX GT " MODELLO - MODEL: " GTMM-4 "

4 MICRO MECCANICI - 4 MICRO-SWITCH:
 ↳ OMRON SSG-5 L2P (contatti argentati - silver contact)
 ↳ OMRON SSG-01 L2P (contatti dorati - gold contact)



Board MINIBOX GTMM-4 connection

5 - Common "sup" micro-switch
 6 - N.O. (normally open) "sup" micro-switch
 7 - N.C. (normally closed) "sup" micro-switch
 8 - N.C. (normally closed) "inf" micro-switch
 9 - N.O. (normally open) "inf" micro-switch
 10 - Common "inf" micro-switch



CARATTERISTICHE GENERALI / GENERAL RATINGS

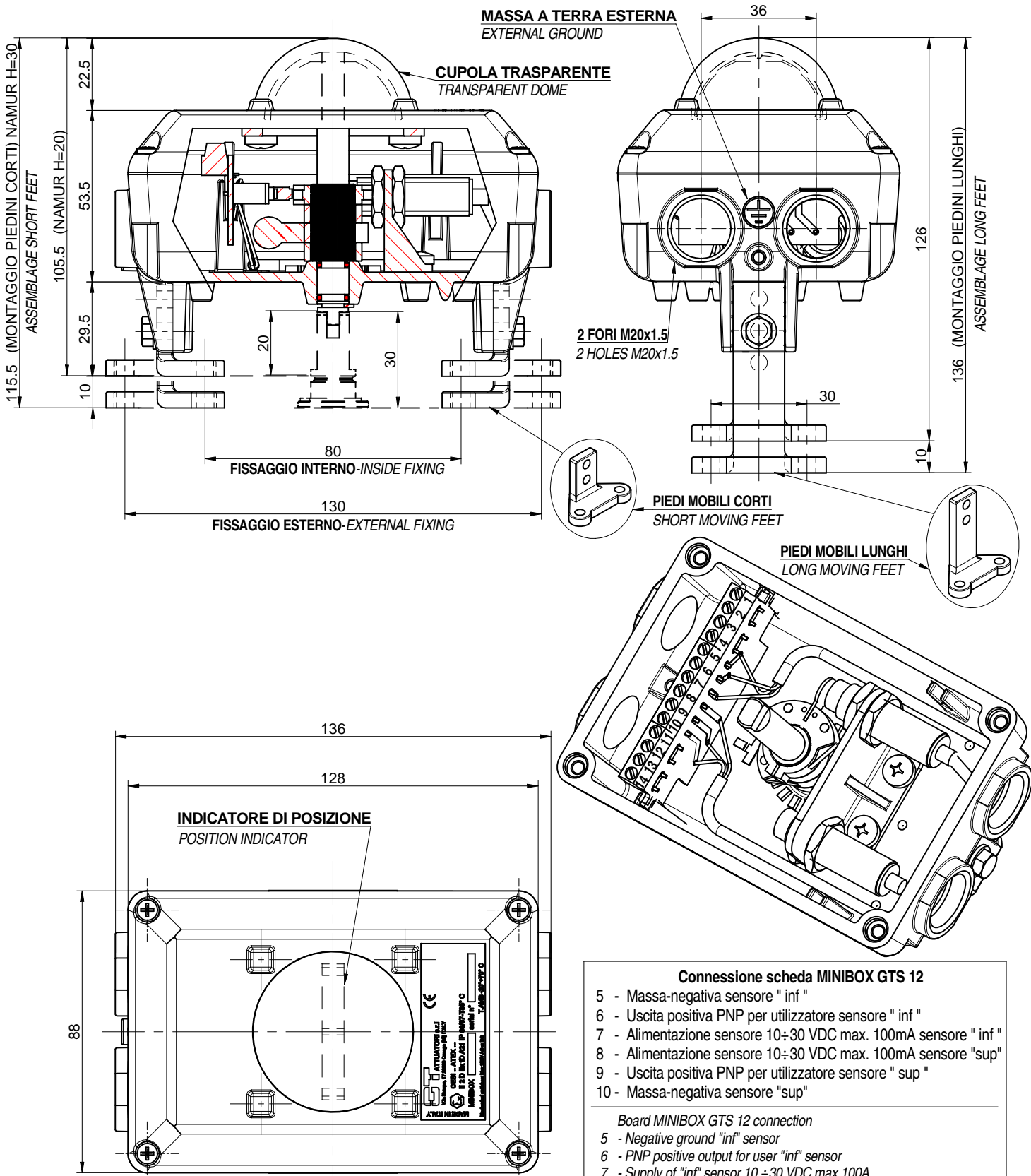
Tensioni <i>Rated voltage</i>	Senza carico induttivo <i>Non inductive load</i>				Carico induttivo <i>Inductive load</i>			
	Carico resistivo <i>Resistive load</i>		Carico lampada <i>Lamp load</i>		Carico induttivo <i>Inductive load</i>		Carico motore <i>Motor load</i>	
	NC	NO	NC	NO	NC	NO	NC	NO
125 VAC	5(0,1) A (see note 1)		1,5A	0,7A	3A		2,5A	1,3A
250 VAC	3A		1A	0,5A	2A		1,5A	0,8A
8 VDC	5A		2A		5A		3A	
14 VDC	5A		2A		4A		3A	
30 VDC	4(0,1) A (see note 1)		2A		3A		3A	
125 VDC	0,4A		0,05A		0,4A		0,05A	
250 VDC	0,2A		0,03A		0,2A		0,05A	

NOTE: 1 - The values in the parentheses are for the SSG-01

SPECIFICHE CONTATTI / CONTACT SPECIFICATIONS

ARTICOLO / ITEM		SSG-5	SSG-01H.T	SSG-01P
CONTATTI <i>CONTACT</i>	SPECIFICHE / <i>SPECIFICATION</i>	RIVET	CROSSBAR	CROSSBAR
	MATERIALE / <i>MATERIAL</i>	SILVER	GOLD ALLOY	GOLD ALLOY
	APERTURA (VALORE STANDARD) <i>GAP (STANDARD VALUE)</i>	0.5 mm	0.25 mm	0.5 mm
INRUSH CURRENT	NC	20 A MAX	1 A MAX	1 A MAX
	NO	10 A MAX	1 A MAX	1 A MAX
MINIMO CARICO APPLICABILE <i>MINIMUM APPLICABLE LOAD</i>		160 mA at 5 VDC	1 mA at 5 VDC	1 mA at 5 VDC

BOX INDICATORE - SIGNAL BOX
" MINIBOX GT " MODELLO - MODEL: " GTMS-2 "
2 SENSORI / SENSORS: " P+F NBN4-12-GM40-E2 "



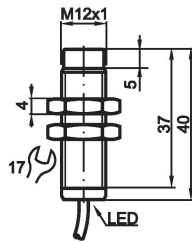
Connessione scheda MINIBOX GTS 12

5	- Massa-negativa sensore " inf "
6	- Uscita positiva PNP per utilizzatore sensore " inf "
7	- Alimentazione sensore 10÷30 VDC max. 100mA sensore " inf "
8	- Alimentazione sensore 10÷30 VDC max. 100mA sensore " sup "
9	- Uscita positiva PNP per utilizzatore sensore " sup "
10	- Massa-negativa sensore " sup "

Board MINIBOX GTS 12 connection

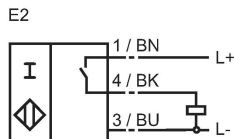
5	- Negative ground "inf" sensor
6	- PNP positive output for user "inf" sensor
7	- Supply of "inf" sensor 10 ÷ 30 VDC max. 100A
8	- Supply of "sup" sensor 10 ÷ 30 VDC max. 100mA
9	- Positive ground "sup" sensor
10	- Negative ground "sup" sensor

Basic series

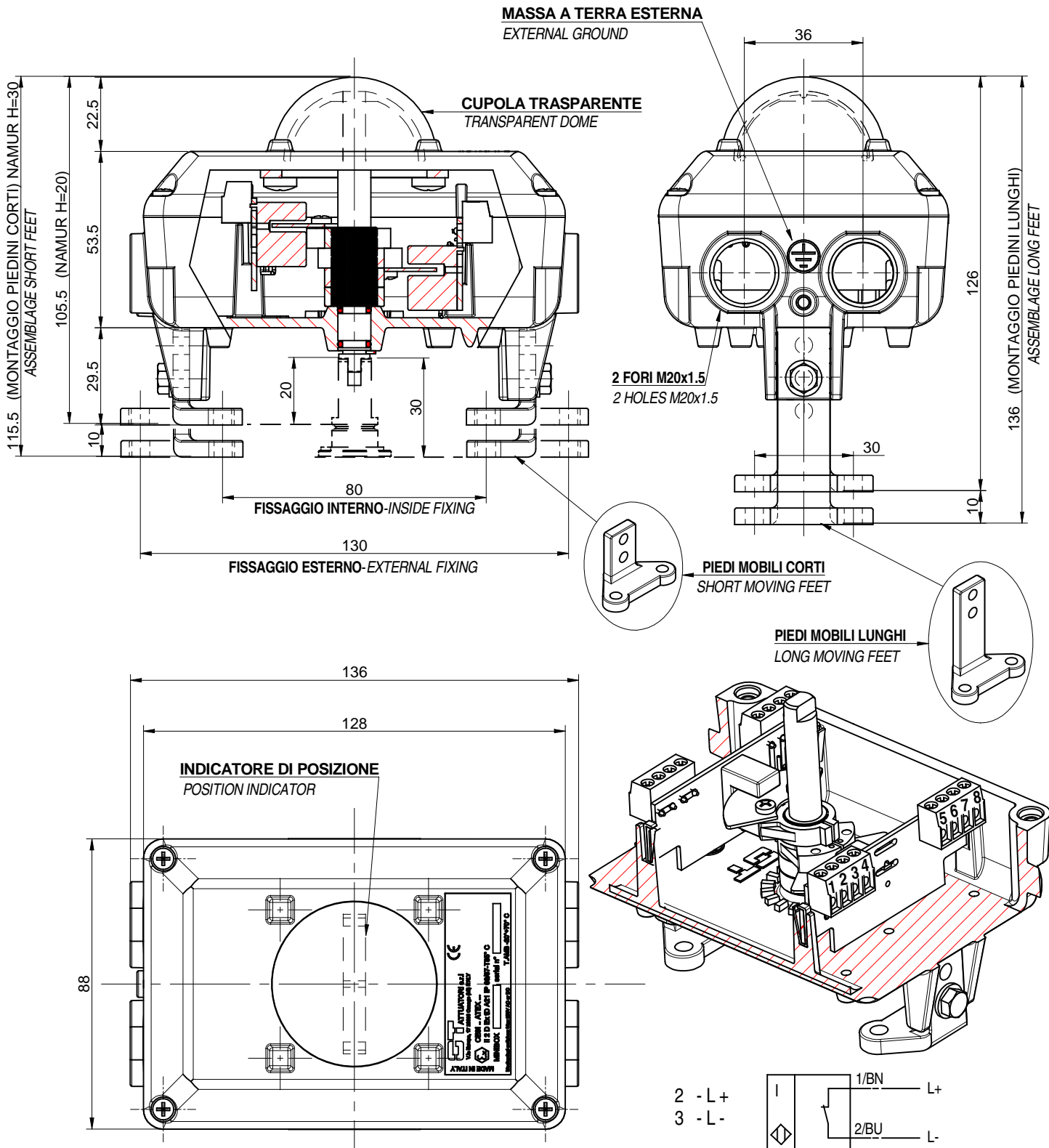


General specifications	
Switching element function	PNP Make function
Rated operating distance s_n	4 mm
Installation	not embeddable
Assured operating distance s_a	0 ... 3,24 mm
Reduction factor r_{AI}	0,45
Reduction factor r_{Cu}	0,4
Reduction factor r_{V2A}	0,75
Nominal ratings	
Operating voltage U_B	10 ... 30 V
Switching frequency f	0 ... 800 Hz
Hysteresis H	typ. %
Reverse polarity protection	Protected against reverse polarity
Short-circuit protection	pulsing
Voltage drop U_d	≤ 3 V
Operating current I_L	0 ... 100 mA
Off-state current I_r	0 ... 0,5 mA typ. 0,1 μ A at 25 °C
No-load supply current I_0	≤ 15 mA
Indication of the switching state	all direction LED, yellow
Standard conformity	
Standards	EN 60947-5-2
Ambient conditions	
Ambient temperature	-25 ... 70 °C (248 ... 343 K)
Mechanical specifications	
Connection type	2 m, PVC cable
Core cross-section	0.14 mm ²
Housing material	brass, nickel-plated
Sensing face	PBT
Protection degree	IP67

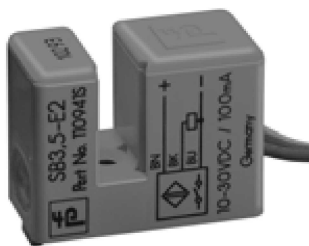
Connection type:



BOX INDICATORE - SIGNAL BOX
" MINIBOX GT " MODELLO - MODEL: " GTMS-2-SC 3.5 "
2 SENSORI / SENSORS: " P+F SC 3.5-NO-BU "



Connessione scheda MINIBOX GTS 3.5
Board MINIBOX GTS 3.5 connection



CE
0102

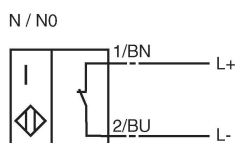
Model Number

SC3,5-N0-BU

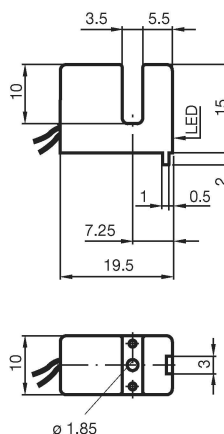
Features

- Comfort series
- 3.5 mm slot width
- Usable up to SIL2 acc. to IEC 61508

Connection



Dimensions



Technical Data

General specifications

Switching element function	NAMUR NC
Slot width	3.5 mm
Depth of immersion (lateral)	5 ... 7 typ. 6 mm
Installation	
Output polarity	NAMUR

Nominal ratings

Nominal voltage	U_o	8 V
Operating voltage	U_B	5 ... 25 V
Switching frequency	f	0 ... 3000 Hz
Hysteresis	H	0.21 ... 0.4 mm

Current consumption

Measuring plate not detected	≥ 3 mA
Measuring plate detected	≤ 1 mA
Indication of the switching state	LED, yellow

Standard conformity

EMC in accordance with	IEC / EN 60947-5-2:2004; NE 21
Standards	DIN EN 60947-5-6 (NAMUR)

Ambient conditions

Ambient temperature	-25 ... 100 °C (248 ... 373 K)
---------------------	--------------------------------

Mechanical specifications

Connection type	0.5 m, PVC - flexible lead
Core cross-section	0.14 mm ²
Housing material	PBT
Protection degree	IP67

General information

Use in the hazardous area	see instruction manuals
Category	1G; 2G; 3G; 1D

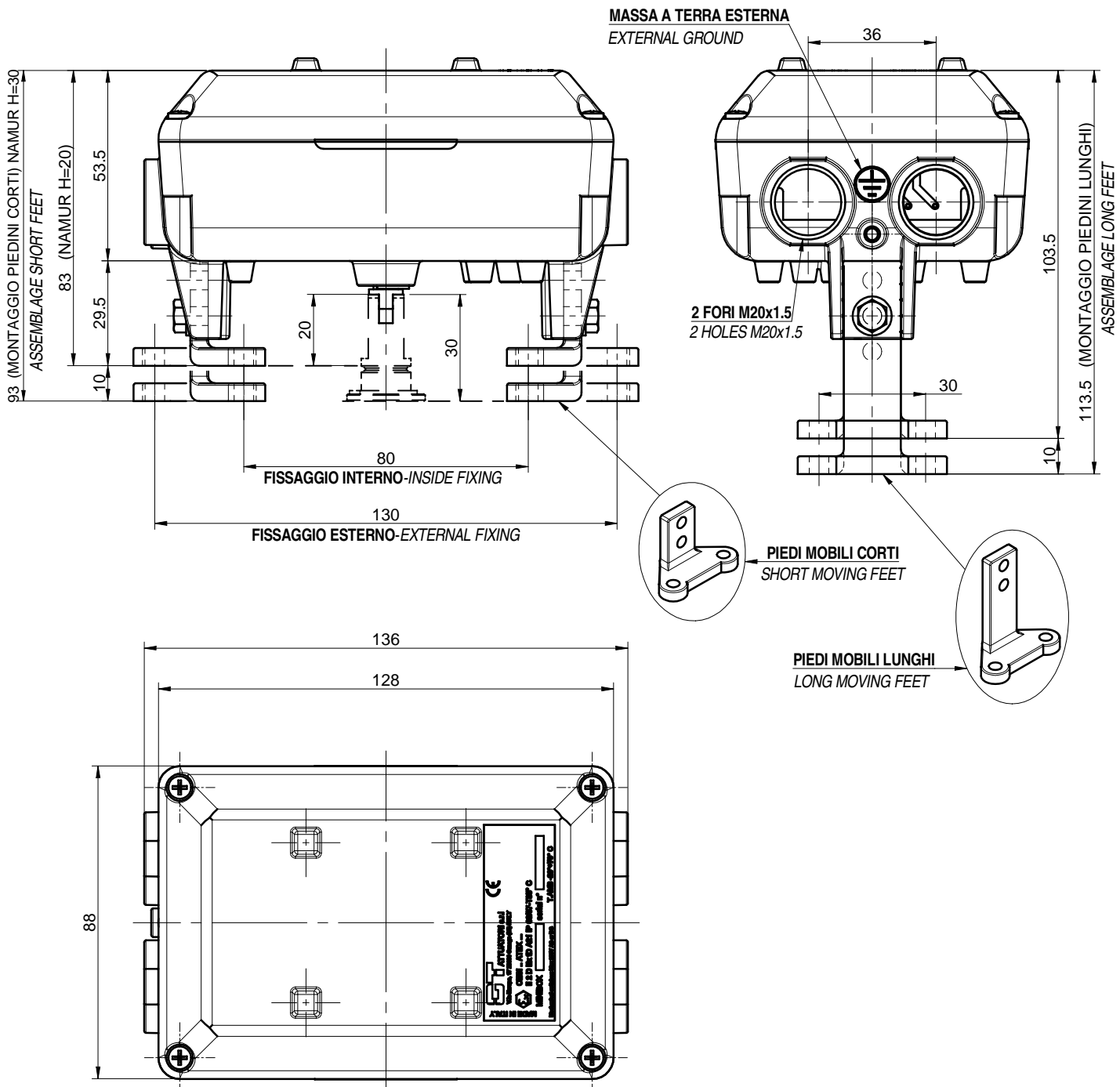
BOX INDICATORE / SIGNAL BOX

" MINIBOX GT "

VERSIONE COPERCHIO CIECO / VERSION BLIND COVER

PER MODELLI / FOR MODELS:

GTMS-2-Ø12 - GTMM-2 - GTMM-4 - GTMS-2-SC 3.5





www.icim.it

CERTIFICATO n. 0210/5
CERTIFICATE No. _____

SI CERTIFICA CHE IL SISTEMA DI GESTIONE PER LA QUALITA' DI
WE HEREBY CERTIFY THAT THE QUALITY MANAGEMENT SYSTEM OPERATED BY

G.T. ATTUATORI S.r.l.

UNITA' OPERATIVE
OPERATIVE UNITS

Viale Europa, 17 - 20090 Cusago (MI)
Italia

E' CONFORME ALLA NORMA
IS IN COMPLIANCE WITH THE STANDARD

UNI EN ISO 9001:2000

PER LE SEGUENTI ATTIVITA'
FOR THE FOLLOWING ACTIVITIES

EA: 18

Progettazione e produzione di attuatori pneumatici ed accessori.
Design and production of pneumatic actuators and accessories.

Riferirsi al Manuale della Qualità per l'applicabilità dei requisiti della Norma ISO 9001:2000.
Refer to Quality Manual for details of application to ISO 9001:2000 requirements.

Il presente certificato è soggetto al rispetto del regolamento per la certificazione dei sistemi di gestione per la qualità delle aziende.
The use and the validity of this certificate shall satisfy the requirements of the rules for the certification of company quality management systems.

Data emissione
First issue
20/07/1994

Emissione corrente
Current issue
10/04/2009

Data di scadenza
Expiring date
09/04/2012

ICIM S.p.A. - PIAZZA A. DIAZ, 2 - 20123 MILANO

CISQ is a member of

IQNet

THE INTERNATIONAL CERTIFICATION NETWORK
www.iqnet-certification.com

IQNet, the association of the world's first class certification bodies, is the largest provider of management System Certification in the world. IQNet is composed of more than 30 bodies and counts over 150 subsidiaries all over the globe.

CISQ è la Federazione Italiana di Organismi di Certificazione dei sistemi di gestione aziendale

CISQ is the Italian Federation of management system Certification Bodies

SINERT
ACCREDITAMENTO ORGANISMI DI CERTIFICAZIONE E ITALIANO

Membro degli Accordi di Mutuo Riconoscimento EA e IAF
Signatory of EA and IAF Mutual Recognition Agreements

SGQ N° 004A
SGA N° 005D
PRD N° 004B
SCR N° 006F

FEDERAZIONE
CISQ

www.cisq.com



THE INTERNATIONAL CERTIFICATION NETWORK

CERTIFICATE

IQNet and its partner
CISQ/ICIM

hereby certify that the organization

G.T. ATTUATORI S.r.l.

Viale Europa, 17 - I-20090 Cusago (MI)

for the following field of activities

Design and production of pneumatic actuators and accessories.

has implemented and maintains a
Quality Management System

which fulfills the requirements of the following standard

ISO 9001:2000

Issued on: **2009-04-10**

Validity date: **2012-04-09**

Registration Number: **IT-3737**



René Wasmer

President of IQNET



Gianrenzo Prati

President of CISQ

IQNet partners*:

AENOR Spain AFAQ AFNOR France AIB-Vinçotte International Belgium ANCE Mexico APCER Portugal CISQ Italy CQC China
CQM China CQS Czech Republic Cro Cert Croatia DQS Germany DS Denmark ELOT Greece FCAV Brazil
FONDONORMA Venezuela HKQAA Hong Kong China ICONTEC Colombia IMNC Mexico Inspecta Certification Finland
IRAM Argentina JQA Japan KFQ Korea MSZT Hungary Nemko AS Norway NSAI Ireland PCBC Poland QMI Canada
Quality Austria Austria RR Russia SAI Global Australia SII Israel SIQ Slovenia SIRIM QAS International Malaysia
SQS Switzerland SRAC Romania TEST St Petersburg Russia YUQS Serbia

IQNet is represented in the USA by: AFAQ AFNOR, AIB-Vinçotte International, CISQ, DQS, NSAI Inc., QMI and SAI Global

*The list of IQNet partners is valid at the time of issue of this certificate. Updated information is available under www.iqnet-certification.com

