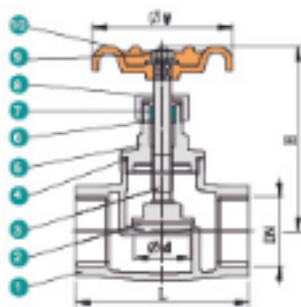


GLOBE VALVE CLASS 200



WR-S20



MATERIAL LIST

| ITEM | NAME | MATERIAL | ITEM | NAME | MATERIAL |
|------|--------|-----------------|------|----------|----------|
| 1 | BODY | CF8M CF8 | 6 | WASHER | SUS304 |
| 2 | DISC | SUS316 SUS304 | 7 | PACKING | PTFE |
| 3 | STEM | SUS316 SUS304 | 8 | STOP NUT | SUS304 |
| 4 | GASKET | PTFE | 9 | STEM NUT | SUS304 |
| 5 | BONNET | CF8M CF8 | 10 | HANDLE | ALUMINUM |

SIZE

| NPS | DN | L | Φd | H | W |
|--------|----|-----|----------|-----|-----|
| 1/2" | 15 | 60 | 15 | 85 | 70 |
| 3/4" | 20 | 74 | 20 | 95 | 70 |
| 1" | 25 | 84 | 25 | 105 | 80 |
| 1-1/4" | 32 | 93 | 32 | 125 | 90 |
| 1-1/2" | 40 | 103 | 40 | 135 | 90 |
| 2" | 50 | 133 | 50 | 155 | 100 |