



## DW-AS-603-M30-002

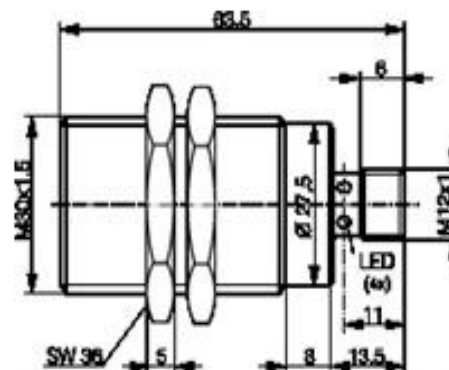
Application Type	<b>Standard</b>
Rated operating distance sn	<b>10 mm</b>
Mounting	<b>Embeddable</b>
Hysteresis	<b>&lt; 20 % sr</b>
Repeat accuracy norm	<b>≤ 5 % sr</b>
Supply voltage range UB	<b>10 ... 30 VDC</b>
Permissible ripple content	<b>≤ 20 % UB</b>
Output current	<b>≤ 200 mA</b>
Voltage drop	<b>≤ 2 V</b>
No-load supply current	<b>≤ 10 mA</b>
Off-state current	<b>≤ 0.1 mA</b>
Switching frequency	<b>≤ 1200 Hz</b>
LED	<b>Built-in</b>
Ambient temperature range TA	<b>-25 ... +70 °C</b>
Ambient temperature range TA US	<b>-13 ... +158 °F</b>
Temperature drift of sr	<b>≤ 10 %</b>
Short-circuit protection	<b>built-in</b>
Polarity reversal protection	<b>Built-in</b>
Power on reset	<b>Built-in</b>
Degree of protection	<b>IP 67</b>
Housing material	<b>Chrome-plated brass</b>
Connection	<b>Connector S12</b>

## Details

Image 



Drawing 



 [More information](#)