

mod. GMDX-RFM

Getto multiplo
quadrante asciutto
Multi jet-super dry



HYDROLINK



Disponibile versione
acqua calda 30-90°C
Available version
for hot water 30-90°C

MID 2004/22CE

Mod. GMDX-RFM

Getto multiplo, quadrante asciutto, lettura diretta. Realizzato nella versione per acqua fredda (30°C) e calda (90°C) nei calibri da \varnothing 15 a 50 mm (1/2" \pm 2"). Esclusi rischi di corrosione e sedimentazione. Dispositivo antimagnetico a richiesta. Garanzia di lunga durata ed elevata precisione. Nuova versione con predisposizione per modulo M-BUS radio e M-BUS a filo.

Mod. GMDX-RFM

Vielfachwasserstrahl, trockenes Zifferblatt, Direktablesung. Produziert in den Versionen Kaltwasser (30°C) und Warmwasser (90°C) in den Durchmessern von 15 bis 50 mm (1/2 Zoll \pm 2 Zoll). Die Risiken von Rost und Ablagerungen sind ausgeschlossen. Anti-magnetische Vorrichtung auf Anfrage. Garantiert lange Haltbarkeit und erhöhte Genauigkeit. Neue Version mit Anlage für M-bus Radio Modul oder M-bus via Kabel.

Mod. GMDX-RFM

Multi jet, dry dial, direct reading. Made in the version for cold water (30°C) and hot water (90°C) in the diameters 15 to 50 mm (1/2" \pm 2"). Risks of corrosion and sedimentation are excluded. Antimagnetic insert upon request. Guaranteed long durability and elevated precision. New version prearranged for radio M-BUS or wired M-BUS modules.

Mod. GMDX-RFM

Jets multiples, cadran sec à lecture directe, disponible en la version pour eau froide (30°C) ou eau chaude (90°C) et du calibre 15 au calibre 50 mm (de 1/2" à 2"), exclus tous problèmes de corrosion et d'incrustation, équipé d'un système antimagnétique sur demande, fiabilité dans le temps et précision élevée. Nouvelle version préparé pour module M-BUS radio ou M-BUS câblé.

Mod. GMDX-RFM

Chorro múltiple, esfera seca, lectura directa. Fabricado en la versión para agua fría (30°C) y caliente (90°C) en los calibres de \varnothing 15 a 50 mm (1/2" \pm 2"). Libre de riesgos de corrosión y sedimentación. Bajo demanda se suministra con dispositivo antimagnético. Garantía de larga duración y elevada precisión. Nueva Versión preparada para modulo M-BUS radio o M-BUS por cable.

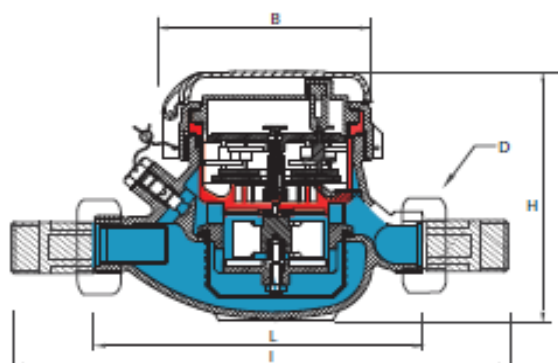
Mod. GMDX-RFM

Многоструйный счетчик с сухим квадрантом и прямым считыванием. Выпускается в версии для холодной (30°C) и горячей (90°C) воды диаметрами условного прохода от 15 до 50 мм (1/2" - 2"). Исключены риски коррозии и образования осадка. Антимангнитная защита - по запросу. Гарантия долговечности и высокой точности. Новая модель, предназначенная для установки проводного или радио-модулей системы M-BUS.

Caratteristiche tecniche - Technical features

Callibro Size	DN	mm In	15 (1/2")	20 (3/4")	25 (1")	32 (1 1/4")	40 (1 1/2")	50 (2")
Portata Max Max Flow Rate	Q _{max}	m³/h	3	5	7	12	20	30
Portata nominale Nominal Flow Rate	Q _n	m³/h	1,5	2,5	3,5	6	10	15
Portata di transizione Transitional flow rate ±2%	Q _t	l/h	120	200	280	480	800	3000
Portata minima Min flow rate ±5%	Q _{min}	l/h	30	50	70	120	200	450
Sensibilità Sensitivity		l/h	10	14	17	27	45	75
Letture minima Min reading		l	0,05	0,05	0,05	0,05	0,05	0,05
Letture massima Max reading		m³	99.999	99.999	99.999	99.999	999.999	999.999
Pressione max. ammissibile Max admissible pres. MAP		bar	16	16	16	16	16	16

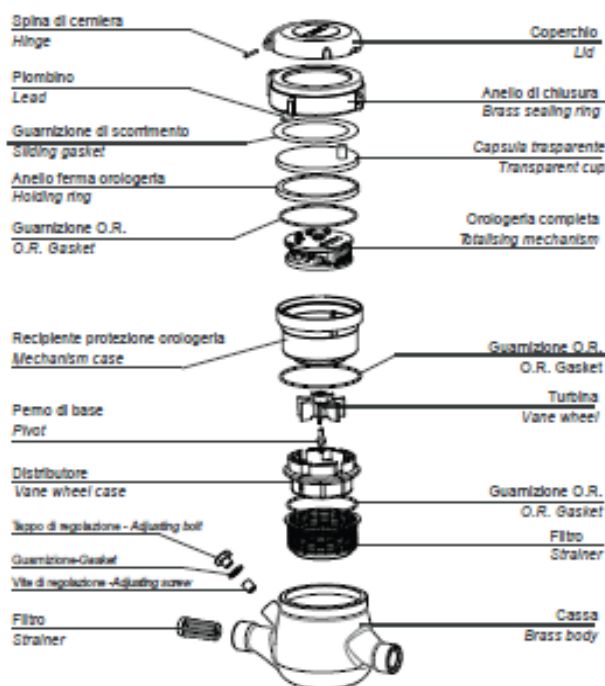
Dimensioni e pesi - Dimensions and Weights



Callibro Size	mm In	15 (1/2")	20 (3/4")	25 (1")	32 (1 1/4")	40 (1 1/2")	50 (2")
L	mm	145-165-190	190	260	260	300	300
l	mm	225-245-270	290	360	380	440	460
H	mm	109	111	117	117	153	172
B	mm	100	100	104	104	126	160
D Flange Threading	mm	3/4"	1"	1 1/4"	1 1/2"	2"	2 1/2"
Net Weight	kg	1,35	1,45	2,04	2,11	4,58	7,25

Filettatura - Threading UNI EN 14154-01

I contatori DN 50 possono essere forniti flangiat secondo UNI EN 1092-1:2007 PN 16
The DN50 meters can be supplied flanged according to UNI EN 1092-1:2007 PN 16



Versione base - Basic version

- Classe B-H CEE75/33 ISO4064
- Corredato da porta ottica e predisposizione per l'installazione dei moduli di comunicazione HYDROLINK modello RFM-MB2 ed RFM-TX2
- Disponibile in versione per acqua fredda 0°C-30°C e per acqua calda 30°C-90°C omologata MID R50 2004/22/CE
- Trasmissione magnetica
- Lettura diretta su 5 rulli numeratori protetti (6 rulli numeratori protetti su DN40 e DN50)
- Quadrante asciutto
- Con coperchio
- Class B-H CEE75/33 ISO4064
- Complete with optical port and prearrangement for the HYDROLINK communication modules model RFM-MB2 and RFM-TX2
- Available for cold water 0°C-30°C and for hot water 30°C-90°C MID R50 2004/22/CE approved
- Magnetic transmission
- Direct reading on 5 numeric protected rolls (6 numeric protected rolls on DN40 and DN50)
- Dry dial
- With lid

Su richiesta - Upon request

- Orologeria anti-condensa
- Protezione anti frode magnetica
- Anti-condensation dial
- Anti-magnetic fraud protection